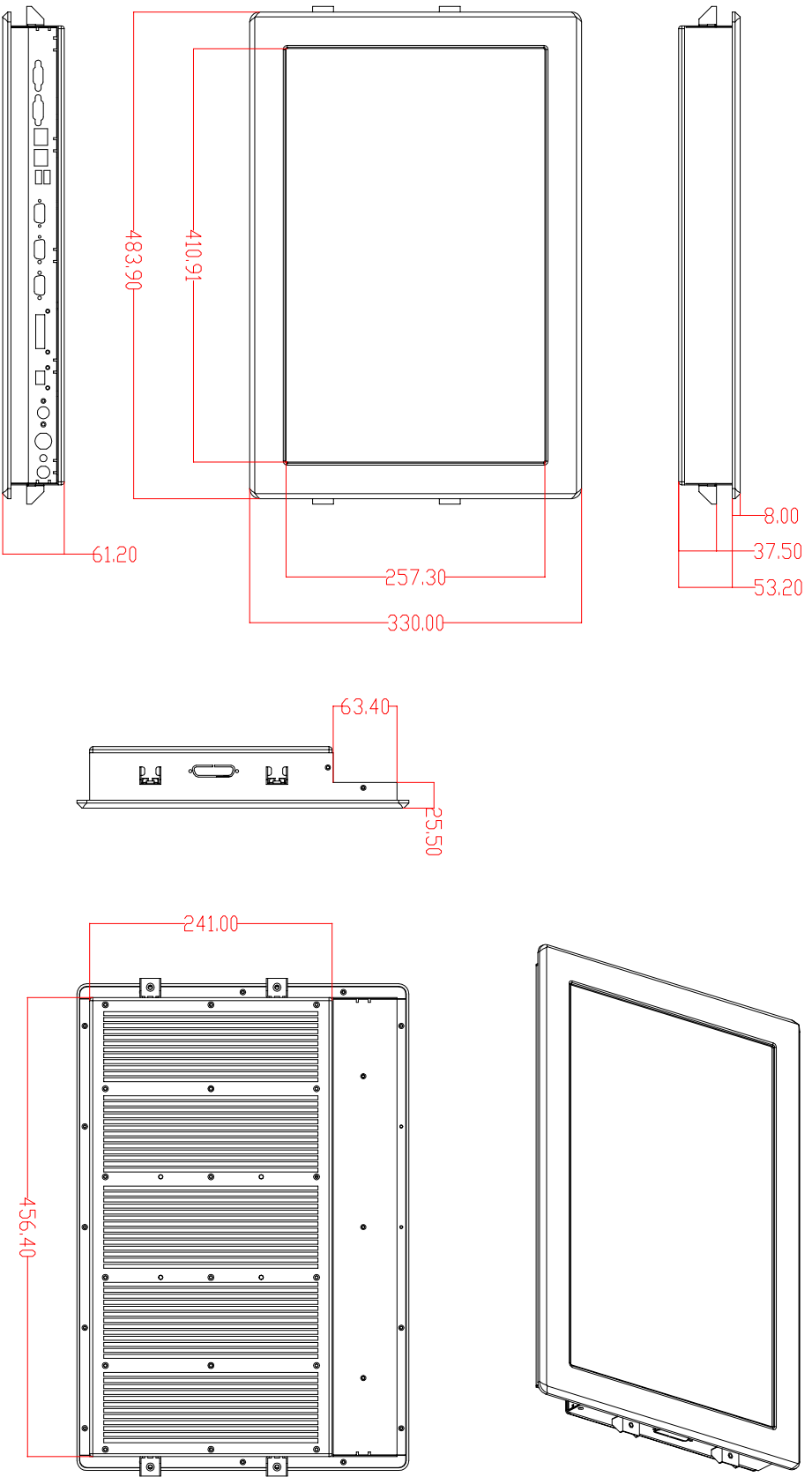


NOTICE: DESTROY ALL PRINTS TO THIS REVISION			
注意: 修订修正更改前的所有副本文件			
LT#	PETITION NO	DESCRIPTION	BY DATE
标记	申请书编号	说明	签名 日期



		深圳研江智能科技有限公司 Shenzhen Yan Jiang Intelligent Technology Co., Ltd.																																																																	
等级 05-3 3-6 6-30 30-120 120-400 400-1000 1000-2000		线性尺寸未注公差参照 (GB/T1804-92) f (精密级) M (中等级) Y (粗级) Y (最粗级) <table border="1"> <tr> <td>±0.05</td> <td>±0.1</td> <td>±0.2</td> <td>±0.5</td> <td>±1.0</td> <td>±2.0</td> <td>±3.0</td> <td>±6.0</td> </tr> <tr> <td>±0.05</td> <td>±0.1</td> <td>±0.2</td> <td>±0.5</td> <td>±1.0</td> <td>±2.0</td> <td>±3.0</td> <td>±6.0</td> </tr> <tr> <td>±0.05</td> <td>±0.1</td> <td>±0.2</td> <td>±0.5</td> <td>±1.0</td> <td>±2.0</td> <td>±3.0</td> <td>±6.0</td> </tr> <tr> <td>±0.05</td> <td>±0.1</td> <td>±0.2</td> <td>±0.5</td> <td>±1.0</td> <td>±2.0</td> <td>±3.0</td> <td>±6.0</td> </tr> <tr> <td>±0.05</td> <td>±0.1</td> <td>±0.2</td> <td>±0.5</td> <td>±1.0</td> <td>±2.0</td> <td>±3.0</td> <td>±6.0</td> </tr> <tr> <td>±0.05</td> <td>±0.1</td> <td>±0.2</td> <td>±0.5</td> <td>±1.0</td> <td>±2.0</td> <td>±3.0</td> <td>±6.0</td> </tr> <tr> <td>±0.05</td> <td>±0.1</td> <td>±0.2</td> <td>±0.5</td> <td>±1.0</td> <td>±2.0</td> <td>±3.0</td> <td>±6.0</td> </tr> <tr> <td>±0.05</td> <td>±0.1</td> <td>±0.2</td> <td>±0.5</td> <td>±1.0</td> <td>±2.0</td> <td>±3.0</td> <td>±6.0</td> </tr> </table>		±0.05	±0.1	±0.2	±0.5	±1.0	±2.0	±3.0	±6.0	±0.05	±0.1	±0.2	±0.5	±1.0	±2.0	±3.0	±6.0	±0.05	±0.1	±0.2	±0.5	±1.0	±2.0	±3.0	±6.0	±0.05	±0.1	±0.2	±0.5	±1.0	±2.0	±3.0	±6.0	±0.05	±0.1	±0.2	±0.5	±1.0	±2.0	±3.0	±6.0	±0.05	±0.1	±0.2	±0.5	±1.0	±2.0	±3.0	±6.0	±0.05	±0.1	±0.2	±0.5	±1.0	±2.0	±3.0	±6.0	±0.05	±0.1	±0.2	±0.5	±1.0	±2.0	±3.0	±6.0
±0.05	±0.1	±0.2	±0.5	±1.0	±2.0	±3.0	±6.0																																																												
±0.05	±0.1	±0.2	±0.5	±1.0	±2.0	±3.0	±6.0																																																												
±0.05	±0.1	±0.2	±0.5	±1.0	±2.0	±3.0	±6.0																																																												
±0.05	±0.1	±0.2	±0.5	±1.0	±2.0	±3.0	±6.0																																																												
±0.05	±0.1	±0.2	±0.5	±1.0	±2.0	±3.0	±6.0																																																												
±0.05	±0.1	±0.2	±0.5	±1.0	±2.0	±3.0	±6.0																																																												
±0.05	±0.1	±0.2	±0.5	±1.0	±2.0	±3.0	±6.0																																																												
±0.05	±0.1	±0.2	±0.5	±1.0	±2.0	±3.0	±6.0																																																												
TITL E: 项 目 DRAW BY: CHK BY: APPR BY: 批 准		DATE: 日期 DATE: 日期 DATE: 日期																																																																	
FILE NO: 电脑图号 PRD NO: 产品代号 PART NO: 零件代号 FINISH: 表面要求 MATERIAL: 材料 QTY: 数量 WG: 重量		SCALE: 比例 1:1 UNITS: 单位 MM SH 第 1 共 1																																																																	

G.D. DRAWING
DO NOT SCALE

